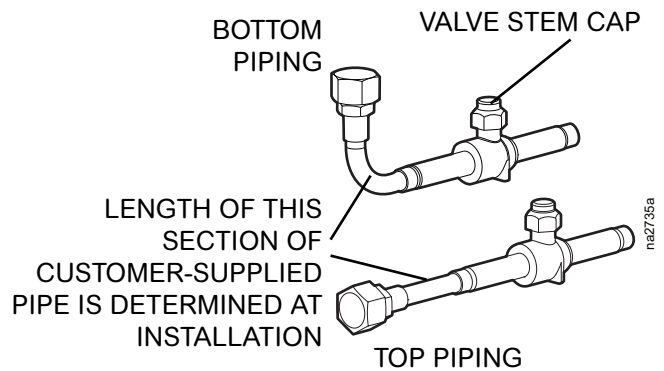
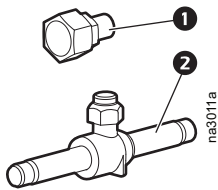


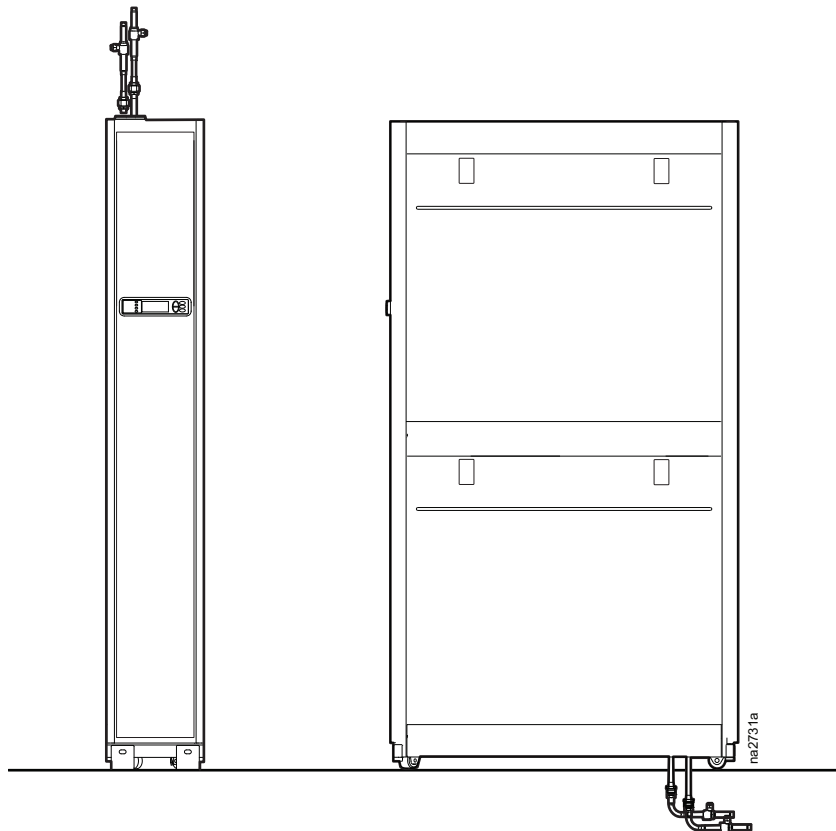
Isolation Valve Installation—ACAC10022 (Optional for ACRD100 and ACRD101)

Install isolation valves as shown. Do not solder joints; braze all joints and be sure to use the provided Teflon[®] gaskets. Ensure the valve stems are facing in a direction to allow easy access. Remove the valve stem caps to adjust the valves.

NOTE: Valves are brass; rotolock adapters are brass or nickel-plated brass.



Item	Description	Quantity
1	Rotolock adapter	2
	Teflon gasket (included but not shown)	2
2	Ball valve	2



Customer support and warranty information is available at the Schneider Electric Web site, www.schneider-electric.com.

As standards, specifications, and designs change from time to time, please ask for confirmation of the information given in this publication.
All trademarks owned by Schneider Electric Industries SAS or its affiliated companies.

990-3323B-001
10/2014